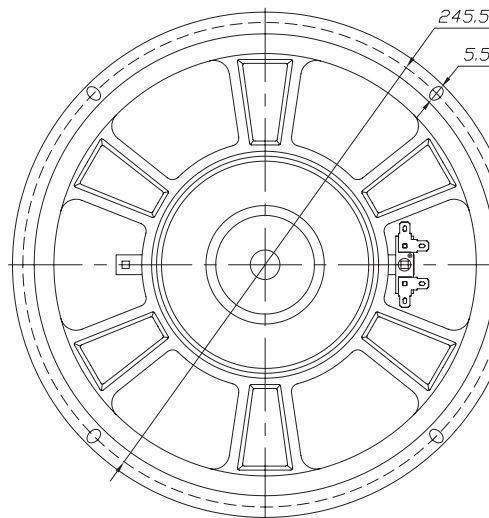
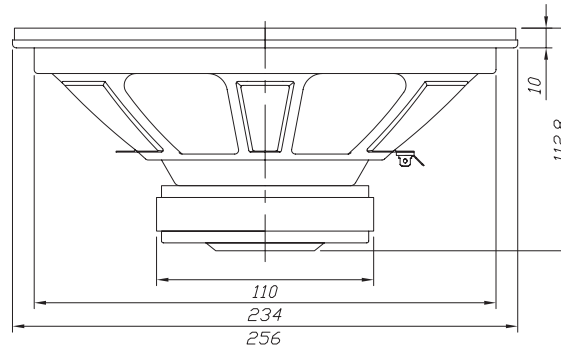


Features

- 10" polymer laminate non-pressed paper cone
- Rubber surround
- Vented pole piece
- Extended bump plate
- High temperature aluminum voice coil

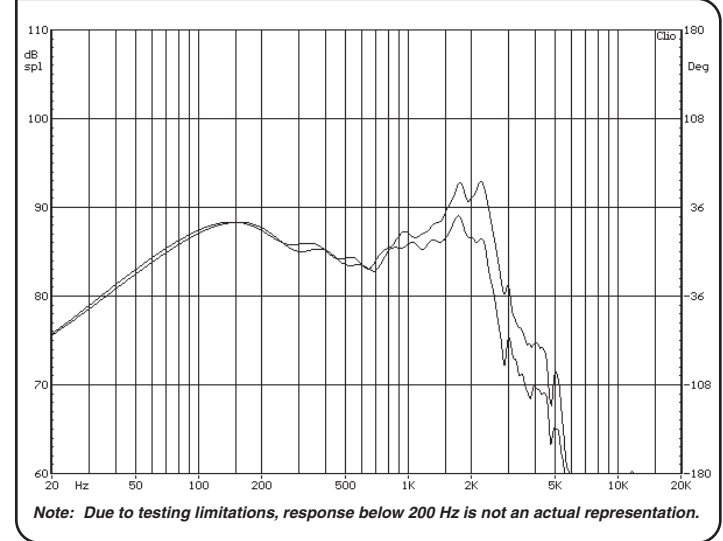
Parameters

Impedance (Ω)	8
Re (Ω)	6.7
Le (mH)	1.71
Fs (Hz)	28.9
Qms	4.05
Qes	0.50
Qts	0.45
Mms (g)	44.88
Cms (mm/N)	0.67
Sd (cm ²)	343.1
Vd (liters)	154.4
BL (Tm)	10.24
VAS (liters)	111.4
XMAX (mm)	4.5
VC Diameter (mm)	35
SPL (dB@1W/1m)	89.0
RMS Power Handling (w)	70
Usable Frequency Range (Hz)	25 - 2500



Note: All dimensions in mm.

Frequency Response



Impedance/Phase

