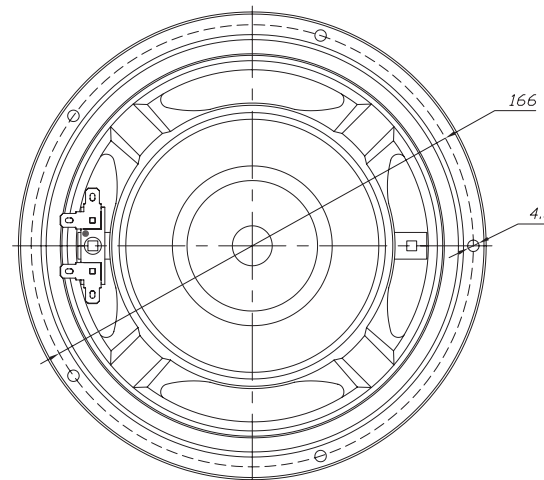
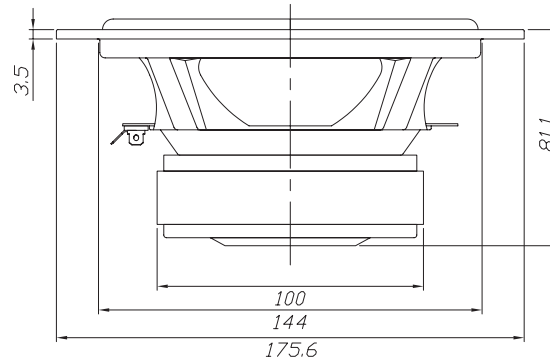


### Features

- 7" one-piece aluminum cone
- Rubber surround
- Attractive steel frame
- Extended back plate
- Vented pole piece
- Broad frequency range

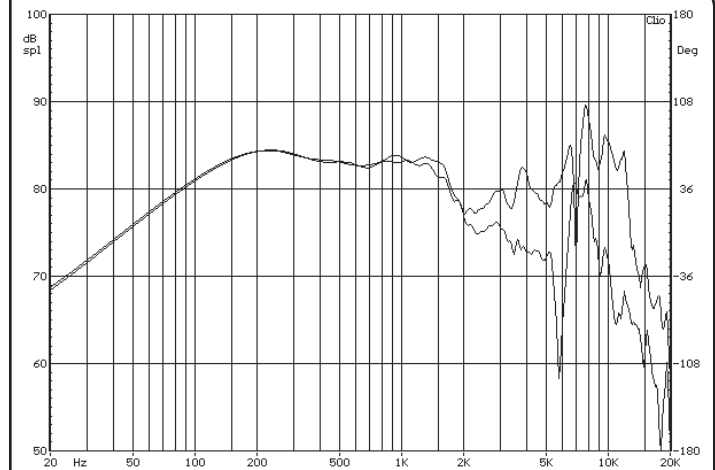
### Parameters

Impedance ( $\Omega$ )	8
Re ( $\Omega$ )	5.9
Le (mH)	0.72
Fs (Hz)	39.0
Qms	3.31
Qes	0.70
Qts	0.58
Mms (g)	25.17
Cms (mm/N)	0.66
Sd (cm <sup>2</sup> )	132.7
Vd (liters)	56.4
BL (Tm)	7.17
VAS (liters)	16.34
XMAX (mm)	4.25
VC Diameter (mm)	35
SPL (dB@1W/1m)	85.0
RMS Power Handling (w)	50
Usable Frequency Range (Hz)	35 - 10000



Note: All dimensions in mm.

### Frequency Response



Note: Due to testing limitations, response below 200 Hz is not an actual representation.

### Impedance/Phase

