

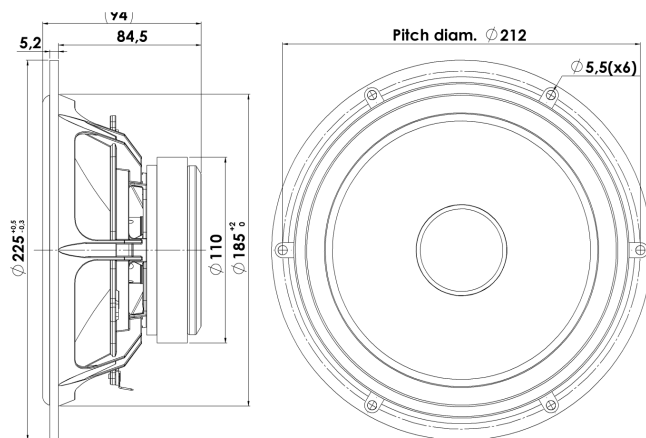


DISCOVERY

WOOFER

22W/8534G00

The Discovery series offer traditional design, superior sound, a solid construction, and a wide range of variants. Combining these elements - plus a wealth of technical features and finesses - it gives our customers the possibility of acquiring a tailor-made Scan-Speak solution with very good performance at a reasonable low price point!



KEY FEATURES:

- High Output 89dB @ 2,83V
- Coated NRSC Fibre Glass Cone
- Low Damping SBR Rubber Surround
- Low Resonance Freq. 30Hz
- Magnet System w. Alu Ring
- Die cast Alu Chassis vented below spider

T-S Parameters

| | |
|-------------------------------|---------------------|
| Resonance frequency [fs] | 30 Hz |
| Mechanical Q factor [Qms] | 4.14 |
| Electrical Q factor [Qes] | 0.43 |
| Total Q factor [Qts] | 0.39 |
| Force factor [Bl] | 7.8 Tm |
| Mechanical resistance [Rms] | 1.05 kg/s |
| Moving mass [Mms] | 23.1 g |
| Suspension compliance [Cms] | 1.22 mm/N |
| Effective diaph. diameter [D] | 173 mm |
| Effective piston area [Sd] | 235 cm ² |
| Equivalent volume [Vas] | 94.2 l |
| Sensitivity (2.83V/1m) | 88.8 dB |
| Ratio Bl/√Re | 3.21 N/√W |
| Ratio fs/Qts | 77 Hz |

Notes:

IEC specs. refer to IEC 60268-5 third edition.
All Scan-Speak products are RoHS compliant.
Data are subject to change without notice.
Datasheet updated: February 22, 2011.

Electrical Data

| | |
|----------------------------|---------|
| Nominal impedance [Zn] | 8 Ω |
| Minimum impedance [Zmin] | 6.8 Ω |
| Maximum impedance [Zo] | 62.7 Ω |
| DC resistance [Re] | 5.9 Ω |
| Voice coil inductance [Le] | 0.56 mH |

Power Handling

| | |
|--------------------------------|-------|
| 100h RMS noise test (IEC 17.1) | 70 W |
| Long-term max power (IEC 17.3) | 120 W |

Voice Coil and Magnet Data

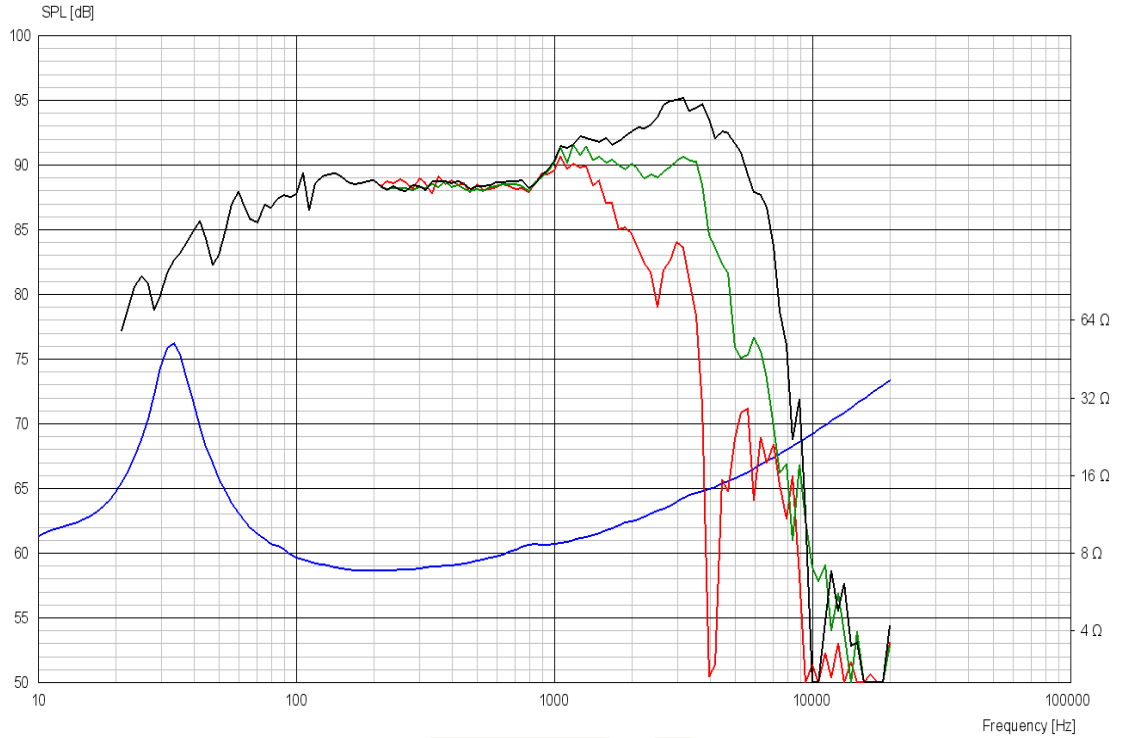
| | |
|---------------------|----------|
| Voice coil diameter | 38 mm |
| Voice coil height | 17.5 mm |
| Voice coil layers | 2 |
| Height of gap | 6 mm |
| Linear excursion | ± 5.8 mm |
| Max mech. excursion | ± 12 mm |
| Unit weight | 2.1 kg |





WOOFER

22W/8534G00



Advanced Parameters (Preliminary)



Electrical data:

| | |
|------------------------|------|
| Resistance [Re'] | - Ω |
| Free inductance [LeB] | - mH |
| Bound inductance [Le] | - mH |
| Semi-inductance [Ke] | - SH |
| Shunt resistance [Rss] | - Ω |

Mechanical Data

| | |
|-----------------------------|--------|
| Force Factor [Bl] | - Tm |
| Moving mass [Mms] | - g |
| Compliance [Cms] | - mm/N |
| Mechanical resistance [Rms] | - kg/s |
| Admittance [Ams] | - mm/N |