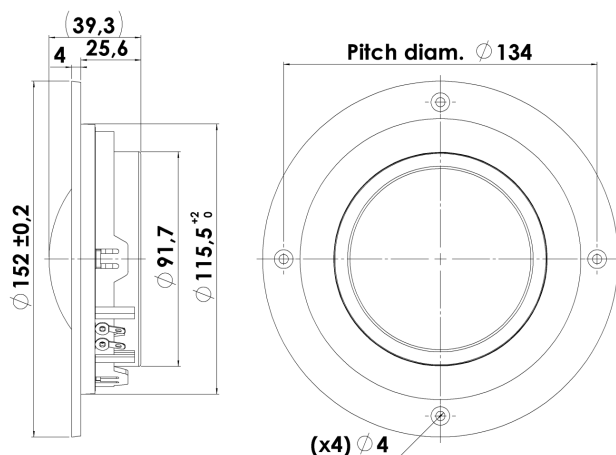




MIDRANGE

D7608/920010

The Discovery series offer traditional design, superior sound, a solid construction, and a wide range of variants. Combining these elements - plus a wealth of technical features and finesses - it gives our customers the possibility of acquiring a tailor-made Scan-Speak solution with very good performance at a reasonable low price point!



KEY FEATURES:

- Fast action due to low moving mass
- High SPL Output 92dB
- Internal Ferrite Magnet
- Wide Dispersion
- Vented / open rear side
- Internal grill to prevent dome from being pushed in

T-S Parameters

Resonance frequency [fs]	300 Hz
Mechanical Q factor [Qms]	7.75
Electrical Q factor [Qes]	2.22
Total Q factor [Qts]	1.73
Force factor [Bl]	4.7 Tm
Mechanical resistance [Rms]	0.80 kg/s
Moving mass [Mms]	3.3 g
Suspension compliance [Cms]	0.09 mm/N
Effective diaph. diameter [D]	84 mm
Effective piston area [Sd]	55 cm ²
Equivalent volume [Vas]	0.36 l
Sensitivity (2.83V/1m)	92 dB
Ratio Bl/ \sqrt{Re}	1.97 N/ \sqrt{W}
Ratio fs/Qts	174 Hz

Notes:

IEC specs. refer to IEC 60268-5 third edition.
All Scan-Speak products are RoHS compliant.
Data are subject to change without notice.
Datasheet updated: February 22, 2011.

Electrical Data

Nominal impedance [Zn]	8 Ω
Minimum impedance [Zmin]	6.2 Ω
Maximum impedance [Zo]	25.6 Ω
DC resistance [Re]	5.7 Ω
Voice coil inductance [Le]	0.13 mH

Power Handling

100h RMS noise test (IEC 17.1)*	80 W
Long-term max power (IEC 17.3)*	- W

*Filter: 2. order HP Butterworth, 500 Hz

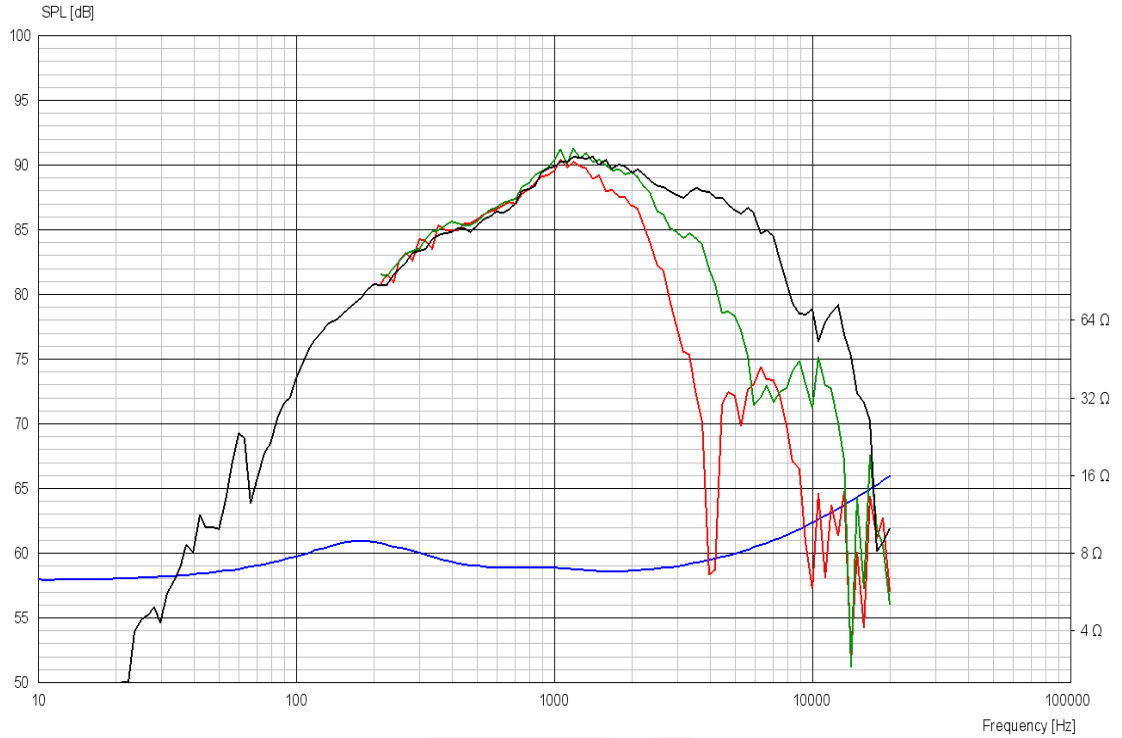
Voice Coil and Magnet Data

Voice coil diameter	76 mm
Voice coil height	2.9 mm
Voice coil layers	2
Height of gap	2 mm
Linear excursion	± 0.4 mm
Max mech. excursion	± 1.5 mm
Unit weight	0.6 kg

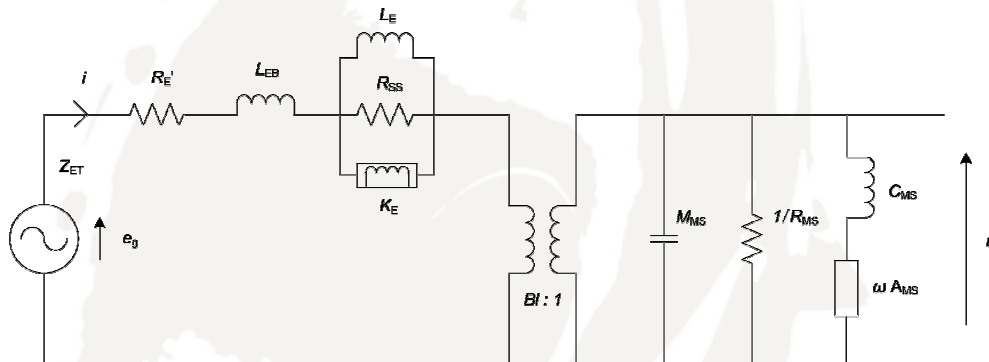


MIDRANGE

D7608/920010



Advanced Parameters (Preliminary)



Electrical data:

Resistance [Re']	- Ω
Free inductance [Leb]	- mH
Bound inductance [Le]	- mH
Semi-inductance [Ke]	- SH
Shunt resistance [Rss]	- Ω

Mechanical Data

Force Factor [Bl]	- Tm
Moving mass [Mms]	- g
Compliance [Cms]	- mm/N
Mechanical resistance [Rms]	- kg/s
Admittance [Ams]	- mm/N