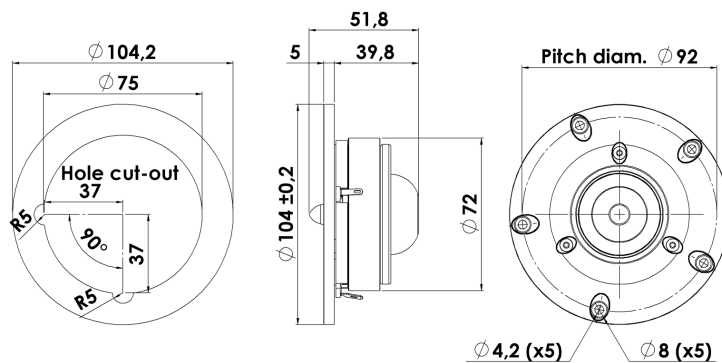




## TWEETER

## R2604/832000

The Discovery series offer traditional design, superior sound, a solid construction, and a wide range of variants. Combining these elements - plus a wealth of technical features and finesses - it gives our customers the possibility of acquiring a tailor-made Scan-Speak solution with very good performance at a reasonable low price point!



### KEY FEATURES:

- Extended Frequency To Above 40KHz
- Low Distortion
- Wave-guide center plug (Patent)
- Very Low Resonance Frequency - 500Hz
- Dual Ring Radiator diaphragm (Patent)
- Textile Diaphragm

#### T-S Parameters

Resonance frequency [fs]	500 Hz
Mechanical Q factor [Qms]	2.77
Electrical Q factor [Qes]	0.52
Total Q factor [Qts]	0.44
Force factor [Bl]	2.3 Tm
Mechanical resistance [Rms]	0.34 kg/s
Moving mass [Mms]	0.3 g
Suspension compliance [Cms]	0.34 mm/N
Effective diaph. diameter [D]	26 mm
Effective piston area [Sd]	5.4 cm <sup>2</sup>
Equivalent volume [Vas]	0.01 l
Sensitivity (2.83V/1m)	90.0 dB
Ratio Bl/ $\sqrt{Re}$	1.35 N/ $\sqrt{W}$
Ratio fs/Qts	1147 Hz

#### Notes:

IEC specs. refer to IEC 60268-5 third edition.  
All Scan-Speak products are RoHS compliant.  
Data are subject to change without notice.  
Datasheet updated: February 22, 2011.

#### Electrical Data

Nominal impedance [Zn]	4 $\Omega$
Minimum impedance [Zmin]	3.7 $\Omega$
Maximum impedance [Zo]	18.4 $\Omega$
DC resistance [Re]	2.9 $\Omega$
Voice coil inductance [Le]	0.02 mH

#### Power Handling

100h RMS noise test (IEC 17.1)*	100 W
Long-term max power (IEC 17.3)*	- W

\*Filter: 2. order HP Butterworth, 2.5 kHz

#### Voice Coil and Magnet Data

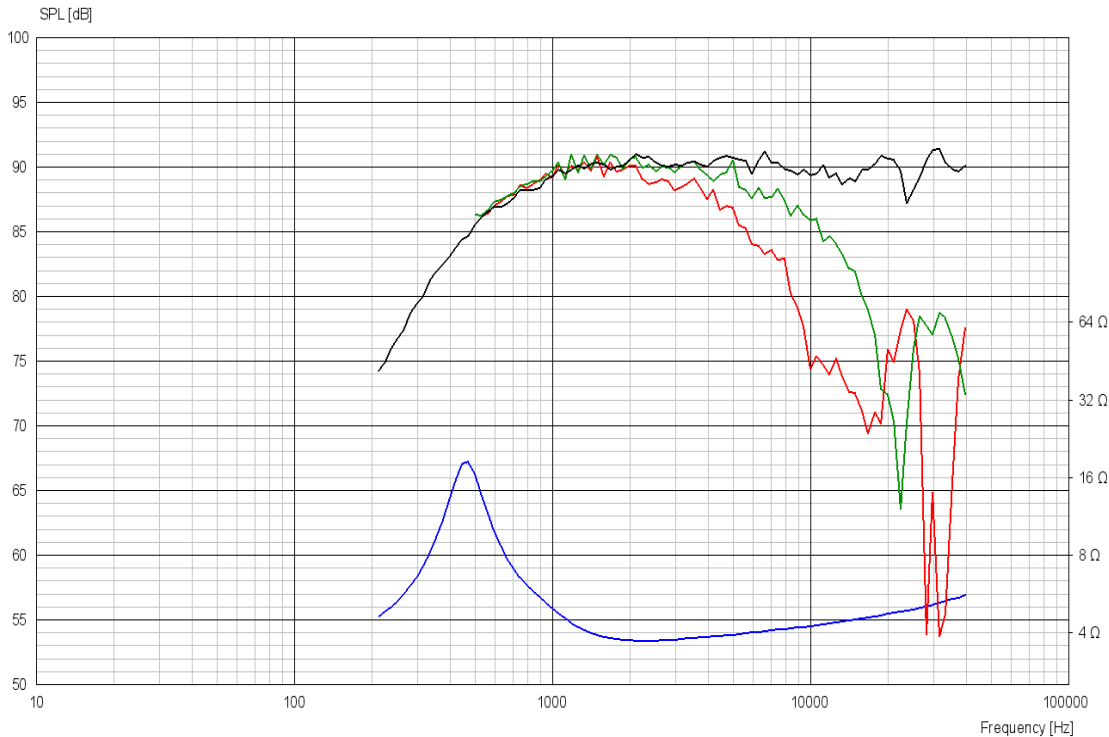
Voice coil diameter	26 mm
Voice coil height	2.2 mm
Voice coil layers	2
Height of gap	2.5 mm
Linear excursion	$\pm 0.2$ mm
Max mech. excursion	$\pm 1.6$ mm
Unit weight	0.5 kg



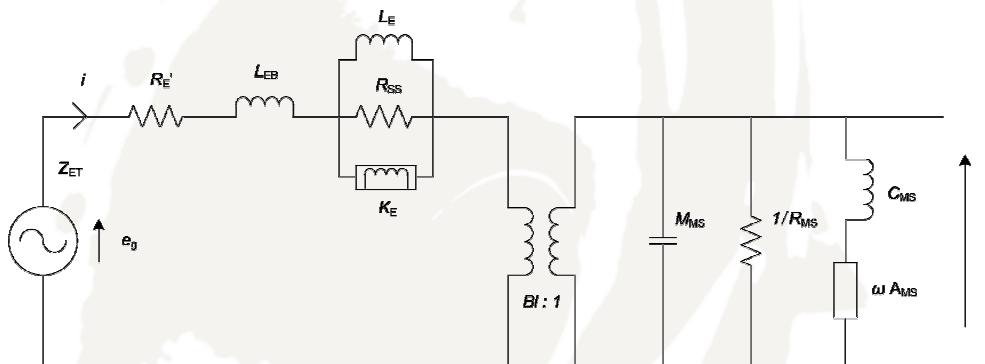
DISCOVERY

TWEETER

R2604/832000



Advanced Parameters (Preliminary)



**Electrical data:**

Resistance [Re']	- Ω
Free inductance [Leb]	- mH
Bound inductance [Le]	- mH
Semi-inductance [Ke]	- SH
Shunt resistance [Rss]	- Ω

**Mechanical Data**

Force Factor [BI]	- Tm
Moving mass [Mms]	- g
Compliance [Cms]	- mm/N
Mechanical resistance [Rms]	- kg/s
Admittance [Ams]	- mm/N

