

# FE126En

### Features

- ES cone and center cap are adapted. This new diaphragm material has the fine, supple and high density fiber, and its characteristics successfully improve the mid-high frequency reproduction.
- $\phi 100\text{mm}$  strong ferrite magnet is employed.
- Well tuned Qts / Mms values for ease of use in the back loaded horn enclosure.

### Specifications

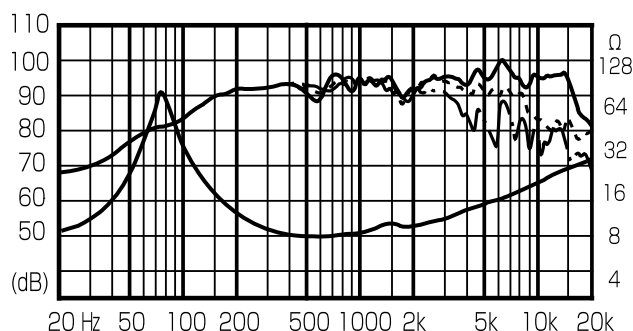
#### & Thiele/Small Parameters

|                                 |   |                  |
|---------------------------------|---|------------------|
| Size                            | : | 120 mm / 4.7 in  |
| Voice Coil Diameter             | : | 20 mm / 0.8 in   |
| Cast / Stamped                  | : | Stamped          |
| Impedance                       | : | 8 $\Omega$       |
| Reproduction Frequency Response | : | fs - 25 kHz      |
| Sound Pressure Level            | : | 93 dB/W(m)       |
| Rated Input                     | : | 15               |
| Music Power                     | : | 45 W             |
| Magnet Material                 | : | Ferrite          |
| Magnet Weight                   | : |                  |
| (main)                          | : | 440 g / 0.970 lb |
| (cancel)                        | : | n/a g / n/a lb   |
| Net Weight                      | : | 990 g / 2.183 lb |

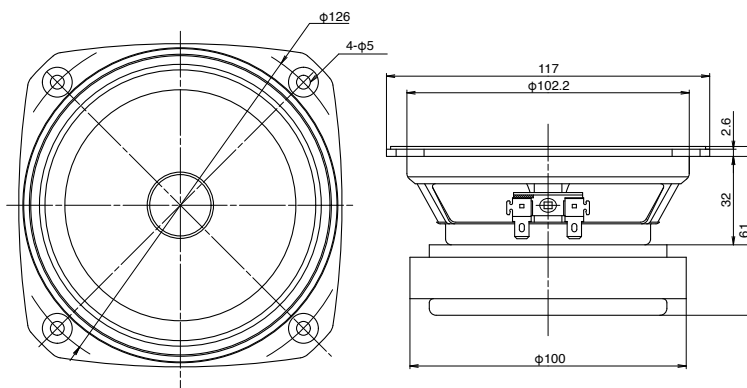
|               |   |                       |
|---------------|---|-----------------------|
| a             | : | 46 mm                 |
| D             | : | 92 mm                 |
| Sd            | : | 0.0065 m <sup>2</sup> |
| Zn            | : | 8 $\Omega$            |
| Fs            | : | 83 Hz                 |
| Re            | : | 7.2 $\Omega$          |
| Le            | : | 0.035 mH              |
| Qms           | : | 4.8                   |
| Qes           | : | 0.33                  |
| Qts           | : | 0.3                   |
| Mms           | : | 2.8 g                 |
| BL            | : | 5.63 Telsa/m          |
| Vas           | : | 8.5 L                 |
| Xmax          | : | 0.35 mm               |
| Eff/ $\eta 0$ | : | 1.36 %                |
| Cms           | : | 1.35 m/N              |
| EBP           | : | 251.52                |



### Frequency Response / Impedance

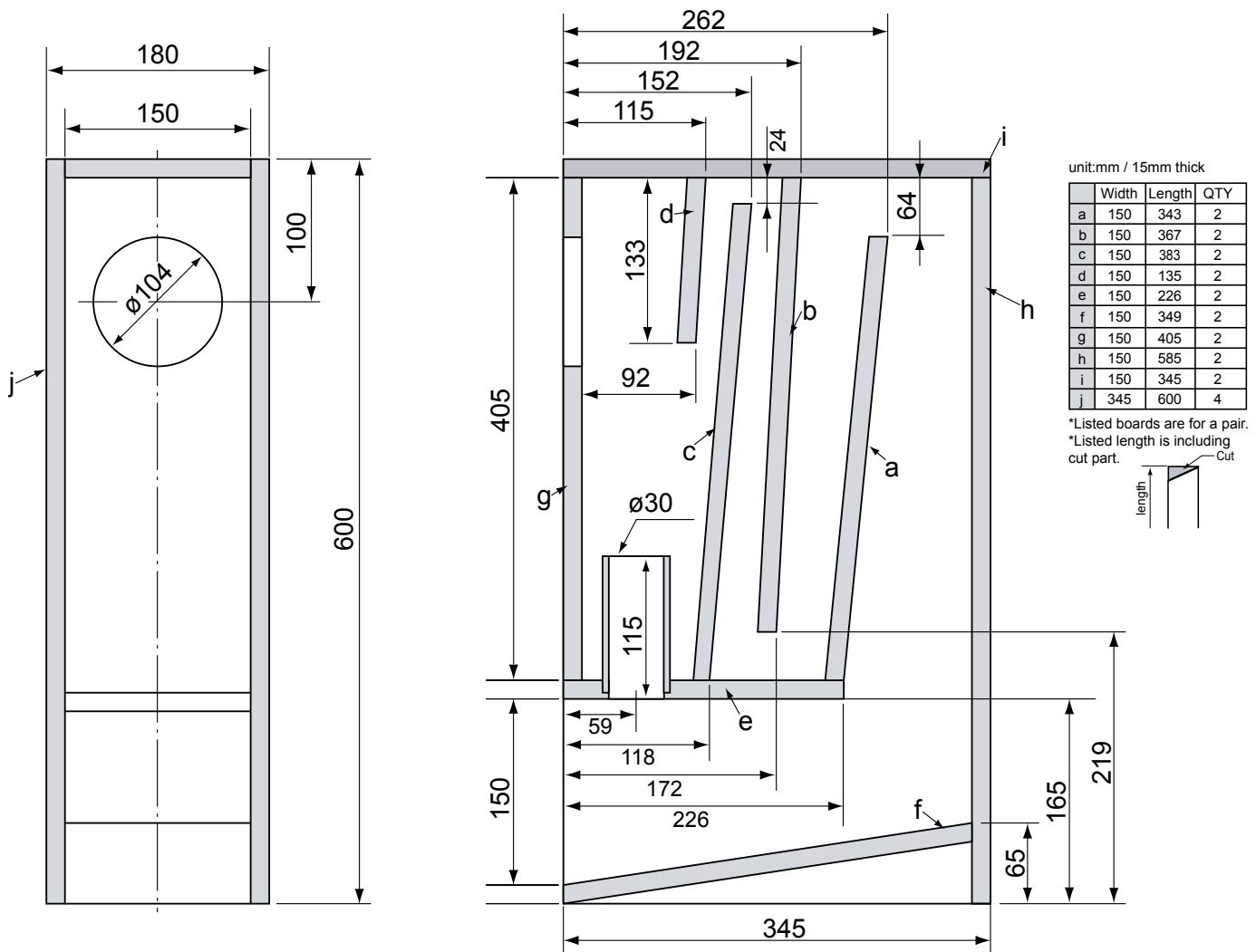


### Dimensions & Mounting Information



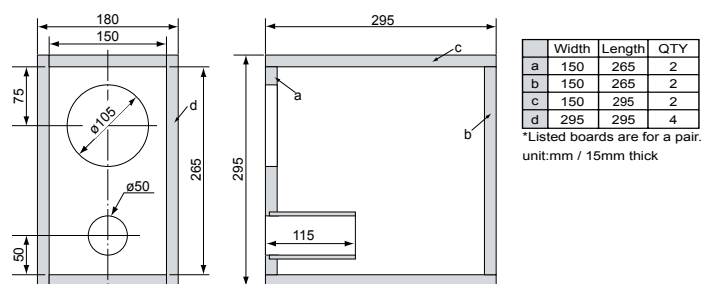
|                      |   |                 |
|----------------------|---|-----------------|
| Overall Diameter     | : | 117 mm / 4.6 in |
| Baffle Hole Diameter | : | 104 mm / 4.1 in |
| Depth                | : | 61 mm / 2.4 in  |

# Unique Back Loaded Horn + Bass Reflex Hybrid Enclosure



- Shown is an example of a FE126En back loaded horn + bass reflex hybrid enclosure.
- Horn frequency is tuned at 100Hz and bass reflex 'Fb' at 55Hz.
- Employing the bass reflex port in the back cavity, this setting realizes the extended low frequency while the dip with the characteristic of back loaded horn is reduced.

## Recommended Standard Bass Reflex Type Enclosure



Example of FE126En standard bass reflex type enclosure.  
Internal volume is 10.5 liters tuned to approximately 61Hz (Fb).

**Fostex**

Distributor / Authorised Dealer

[www.fostex.jp](http://www.fostex.jp)

Fostex Co. ,3-2- 35 Musa shino, Akishima,T okyo,J apa n 196-0 021  
Tel :+81(0) 42-546-497 4 Fax:+8 1(0)42 -546 -92.22

In accordance with our policy of continuous development, we reserve the right to change specifications without notice.

Printed in China 499986