

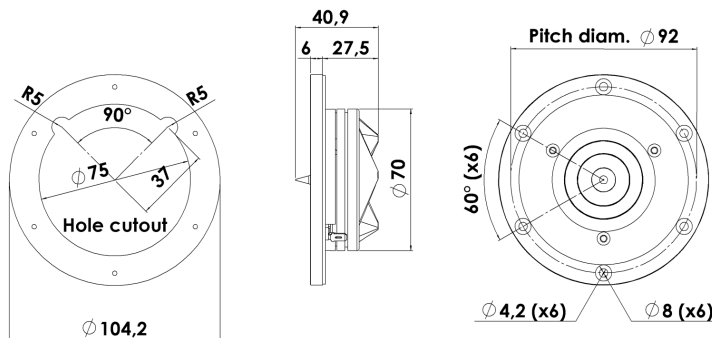


# REVELATOR

## TWEETER

## R2904/700005

The Revelator tweeter series consist of the revolutionary ring radiator design, which put an end to some of the design trade-offs in dome designs. The ring radiator still offers unrivalled performance. Additional enhancements have been made to reduce distortion and power compression, such as large neodymium magnet systems for high sensitivity, and a careful design to optimize airflow in the chambers.



### KEY FEATURES:

- 1" Ring Dome Diaphragm
- Patented Symmetrical Drive (SD-2) motor
- Non Resonant Alu Rear Chamber
- Patented Phase Plug Design
- Large Ring Neo Magnet f. High Output
- Black Anodized Machined Alu Face Plate

#### T-S Parameters

|                               |                     |
|-------------------------------|---------------------|
| Resonance frequency [fs]      | 520 Hz              |
| Mechanical Q factor [Qms]     | 2.90                |
| Electrical Q factor [Qes]     | 0.38                |
| Total Q factor [Qts]          | 0.33                |
| Force factor [Bl]             | 2.8 Tm              |
| Mechanical resistance [Rms]   | 0.34 kg/s           |
| Moving mass [Mms]             | 0.3 g               |
| Suspension compliance [Cms]   | 0.31 mm/N           |
| Effective diaph. diameter [D] | 27 mm               |
| Effective piston area [Sd]    | 5.6 cm <sup>2</sup> |
| Equivalent volume [Vas]       | 0.01 l              |
| Sensitivity (2.83V/1m)        | 94.5 dB             |
| Ratio Bl/√Re                  | 1.62 N/√W           |
| Ratio fs/Qts                  | 1566 Hz             |

#### Notes:

IEC specs. refer to IEC 60268-5 third edition.  
All Scan-Speak products are RoHS compliant.  
Data are subject to change without notice.  
Datasheet updated: February 22, 2011.

#### Electrical Data

|                            |               |
|----------------------------|---------------|
| Nominal impedance [Zn]     | 4 $\Omega$    |
| Minimum impedance [Zmin]   | 3.7 $\Omega$  |
| Maximum impedance [Zo]     | 26.2 $\Omega$ |
| DC resistance [Re]         | 3 $\Omega$    |
| Voice coil inductance [Le] | 0.01 mH       |

#### Power Handling

|                                 |       |
|---------------------------------|-------|
| 100h RMS noise test (IEC 17.1)* | 160 W |
| Long-term max power (IEC 17.3)* | - W   |

\*Filter: 2. order HP Butterworth, 2.5 kHz

#### Voice Coil and Magnet Data

|                     |              |
|---------------------|--------------|
| Voice coil diameter | 26 mm        |
| Voice coil height   | 2.1 mm       |
| Voice coil layers   | 2            |
| Height of gap       | 2.5 mm       |
| Linear excursion    | $\pm 0.2$ mm |
| Max mech. excursion | $\pm 1.6$ mm |
| Unit weight         | 0.4 kg       |

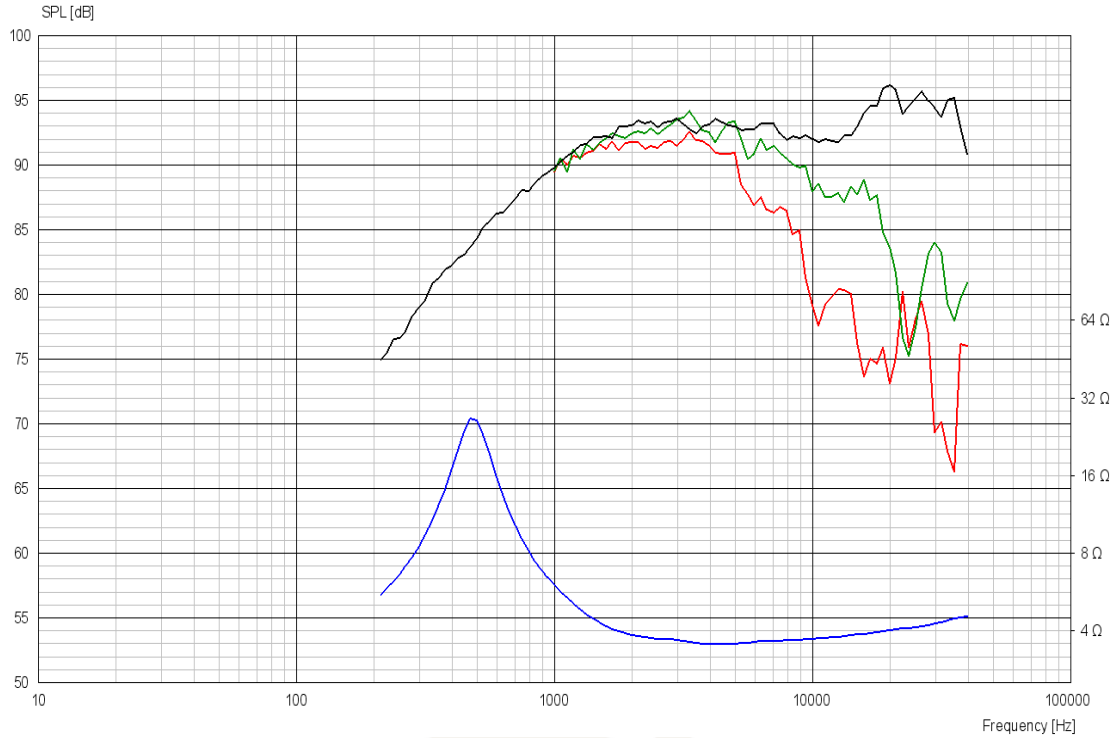




# REVELATOR

## TWEETER

## R2904/700005



### Advanced Parameters (Preliminary)



#### Electrical data:

|                        |      |
|------------------------|------|
| Resistance [Re']       | - Ω  |
| Free inductance [Leb]  | - mH |
| Bound inductance [Le]  | - mH |
| Semi-inductance [Ke]   | - SH |
| Shunt resistance [Rss] | - Ω  |

#### Mechanical Data

|                             |        |
|-----------------------------|--------|
| Force Factor [Bl]           | - Tm   |
| Moving mass [Mms]           | - g    |
| Compliance [Cms]            | - mm/N |
| Mechanical resistance [Rms] | - kg/s |
| Admittance [Ams]            | - mm/N |

