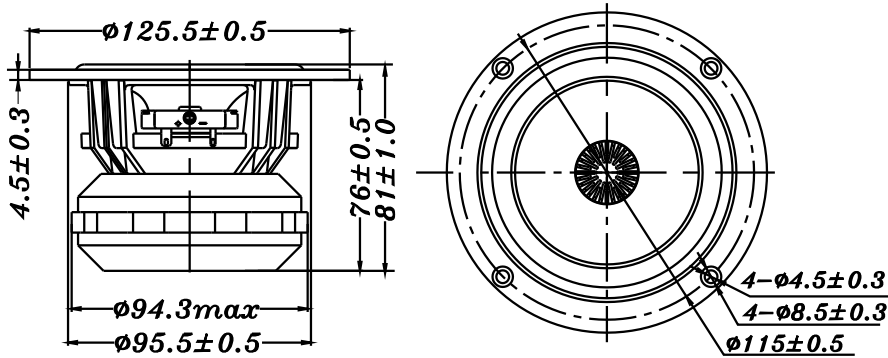


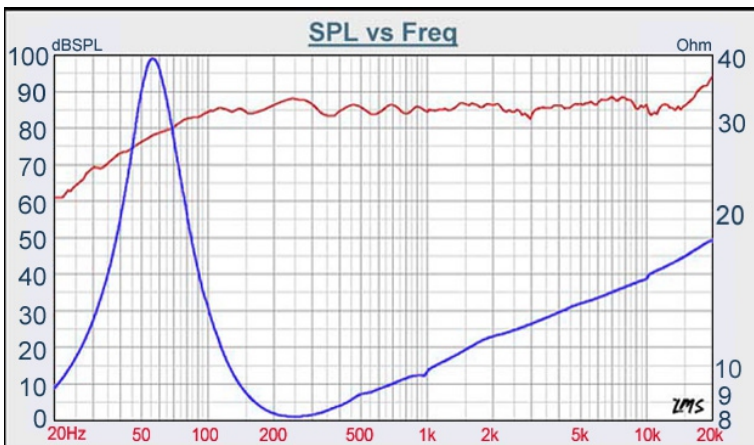
F SERIES

W4-1879



- FULL RANGE DESIGN
- UNDERHUNG MOTOR DESIGN WITH NEO MAGNET, Xmax = 5mm
- VERY LOW THD (2nd AND 3rd HARMONIC DISTORTION)
- UNIQUE PHASE PLUG FOR BETTER DISPERSION
- BAMBOO FIBER PAPER CONE WITH DURABLE FOAM RUBBER SURROUND

4" PAPER FULL RANGE



DIAPHRAGM MTL	Paper
SURROUND MTL	Foam Rubber
NOMINAL IMPEDANCE	8 Ω
DCR IMPEDANCE	6.3 Ω
SENSITIVITY 1W/1m	87 dB
FREQUENCY RESPONSE	55 - 20K Hz
FREE AIR RESONANCE	55 Hz
VOICE COIL DIAMETER	25.4 mm
AIR GAP HEIGHT	15 mm
RATED POWER INPUT	25 W
MAXIMUM POWER INPUT	50 W
FORCE FACTOR, BL	4.19 TM
TYPE OF MAGNET	Neodymium
MOVING MASS	4.0 g
FERROFLUID ENHANCED	No
SUSPENSION COMPLIANCE	1977 μMN ⁻¹
EFFECTIVE PISTON AREA	0.0057 M ²
Levc	0.025 mH
Zo	39 Ω
X-max	5.0 mm
Vas	9.12 Litr
Qts	0.43
Qms	2.68
Qes	0.51

TB SPEAKERS

VOICE:886.2.26570282 FAX:886.2.26580166
E-MAIL :info@tb-speaker.com